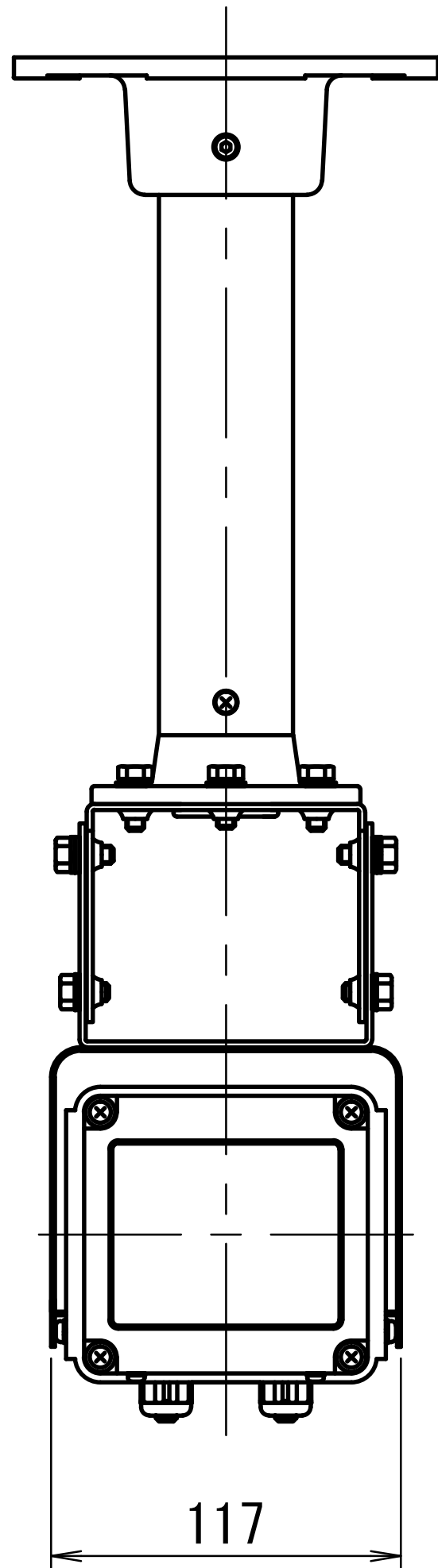
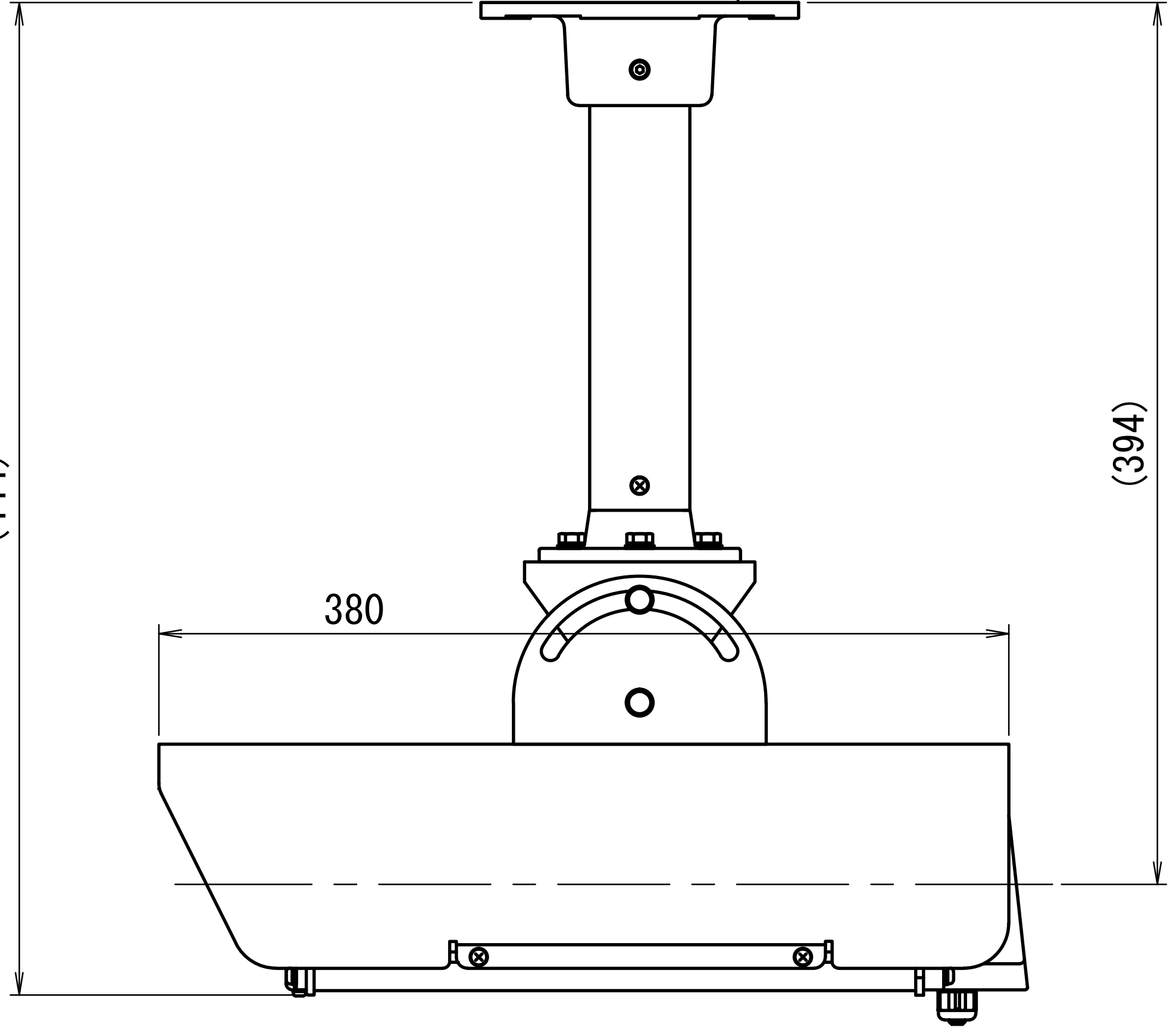


KS-1001 + KS-H280-I

$\phi 142$



(444)



380

(394)

117